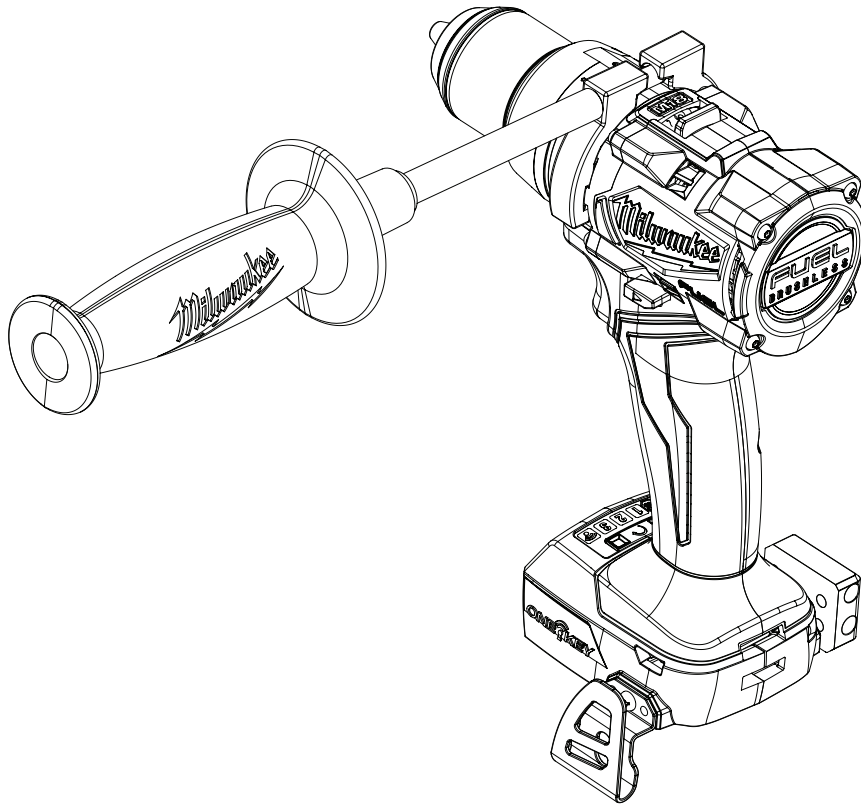




## SERVICE PARTS LIST

BULLETIN NO.  
54-00-2906

SPECIFY CATALOG NO. AND SERIAL NO. WHEN ORDERING PARTS		REVISED BULLETIN	DATE
M18 FUEL™ 1/2" HAMMER Drill/Driver with ONE-KEY™			Mar. 2023
CATALOG NO.	2906-20	STARTING SERIAL NO.	N59A
WIRING INSTRUCTION			



**Due to the complexities of One-Key™ electronics  
contact the following for service related questions and issues:**

**e-Service at: [www.milwaukeetool.com/e-service](http://www.milwaukeetool.com/e-service)**

or

questions, please call 1.800.SAWDUST (1.800.729.3878)

or

Return it to a MILWAUKEE *factory* Service Center location, freight prepaid and insured.  
A copy of the proof of purchase should be included with the return product.

If you have questions please contact Milwaukee Product Service at:

**Product Technical Support via phone at: 262.783.8642**

or

**Via email at: [METProductSupport@milwaukeetool.com](mailto:METProductSupport@milwaukeetool.com)**

**Disassembly is not recommended and could void the warranty.**

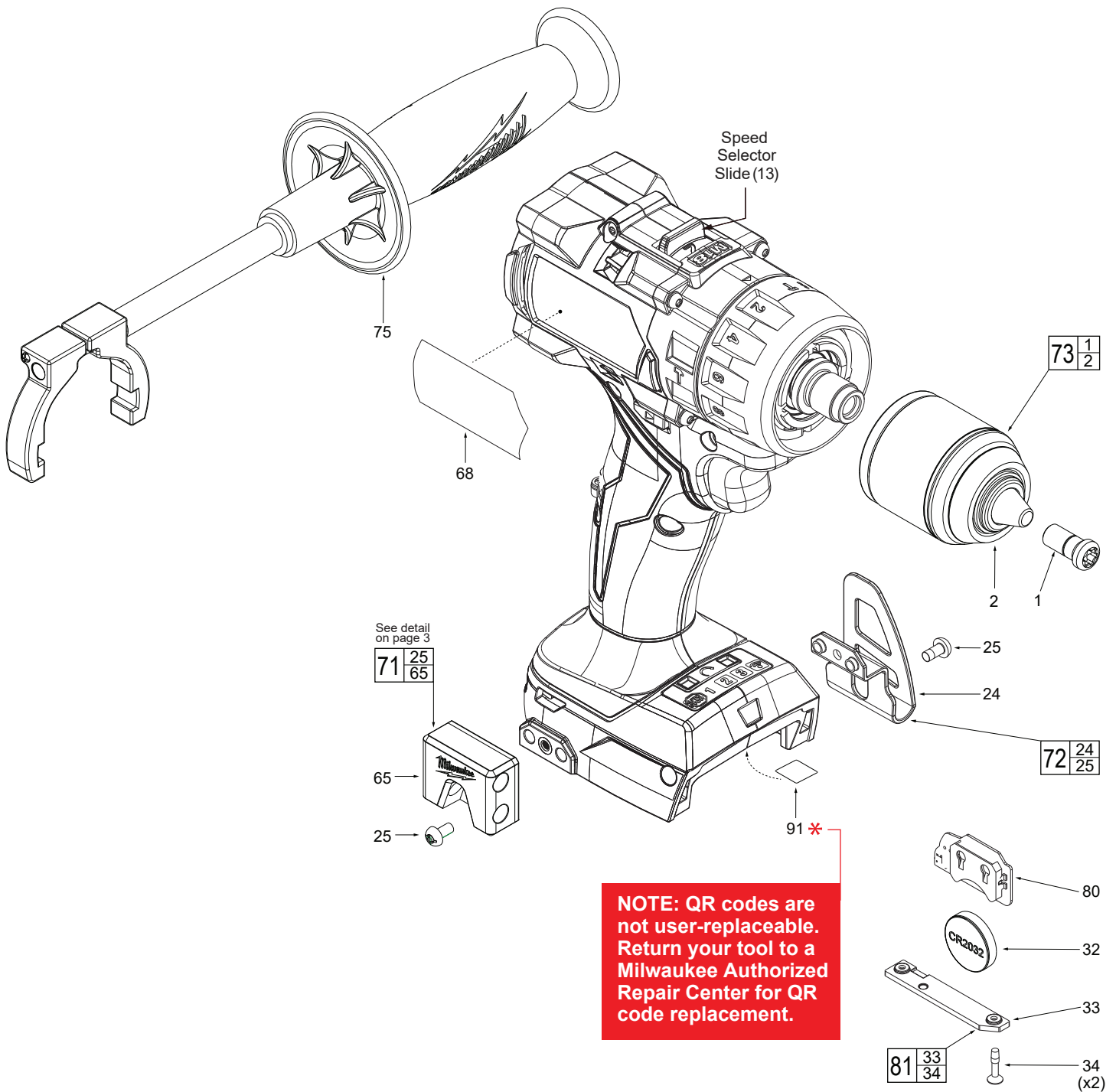


FIG.	PART NO.	DESCRIPTION OF PART	NO. REQ.
	1	05-88-0019 M8.0 x 1 TH Chuck Screw	(1)
	2	1/2" Keyless Chuck	(1)
	13	45-24-2670 Speed Selector Slide	(1)
	24	Belt Hook	(1)
	25	06-82-2500 6-32 x 7mm Pan Hd. T-15 Mach. Screw	(2)
	32	3V Coin Cell Battery (CR 2032)	(1)
	33	Coin Cell Cover	(1)
	34	M2.6 x .907 FH Phillips #1B Screw	(2)
	65	Bit Holder (Optional)	(1)
	68	12-20-2345 Service Nameplate	(1)
	71	49-16-3697 Bit Holder Kit (Optional)	(1)
	72	42-70-0950 Belt Clip Kit	(1)
	73	42-66-2720 1/2" Keyless Chuck with Chuck Screw Kit	(1)
	75	42-62-0550 Side Handle Assembly	(1)
	80	14-20-0068 Coin Cell PCBA	(1)
	81	45-04-7015 Coin Cell Cover Kit	(1)
	91	QR Code Label	(1)

## CHUCK AND CHUCK SCREW REMOVAL

### REMOVING THE CHUCK SCREW:

Set the Speed Selector Slide (13) to the #1 setting.

With the aid of a small pencil tip torch (or use an air reduction nozzle on a heat gun) apply heat into the chuck opening, directly to the head of reversing screw just prior to removing the screw. Place a T40 1/4" torx bit into the head of the reversing screw and place a 1/4" boxed endwrench over the hex on the T40 bit. It is recommended to use a 12"-18" metal tube or pipe as leverage over the boxed wrench. In a clockwise direction apply a slow, steady force on the 'cheater bar' to break the screw loose.

### REMOVING THE KEYLESS CHUCK:

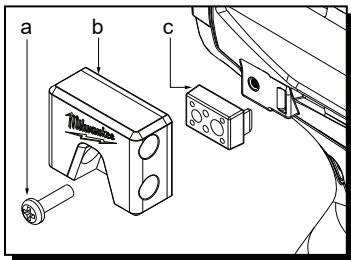
Tighten a 3/8" or 10mm Allen Key into the jaws of the chuck. Place the tool into a vise with soft jaws (this will require that you remove the belt clip from the tool). It is recommended to use a 12"-18" metal tube or pipe as leverage over the allen key. In a counter-clockwise direction apply a slow, steady force on the 'cheater bar' to break the chuck loose.

### INSTALLING NEW CHUCK AND SCREW:

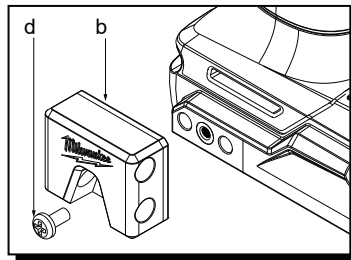
Torque Chuck to 1095 kg/cm (950.418 in/lbs or 28.93 ft/lbs)

Torque Screw to 461 kg/cm (400.130 in/lbs or 33.34 ft/lbs)

Bit Holder on M12™ Products



Bit Holder on M18™ Products



### FIG. SERVICE NOTES

68 A clean, dry surface is essential for proper performance for any adhesive system. The area intended for application of any adhesive label or nameplate must be prepared by cleaning with isopropyl alcohol. The solvent is to be applied with a clean, lint free applicator and the surface allowed to dry before applying the label or nameplate.

### 49-16-3697 BIT HOLDER (ACCESSORY)

FIG.	PART NO.	DESCRIPTION OF PART
a	06-82-3008	6-32 x 12.7mm Pan Hd. Phillips Screw (For M12™ Tools)
b	-----	Bit Holder
c	-----	Adapter (For M12™ Tools)
d	06-82-2500	6-32 x 7mm Pan Hd. Phillips Screw (For M18™ Tools)

FOR M18™ TOOLS, DISCARD KIT PARTS 'A' and 'C'.